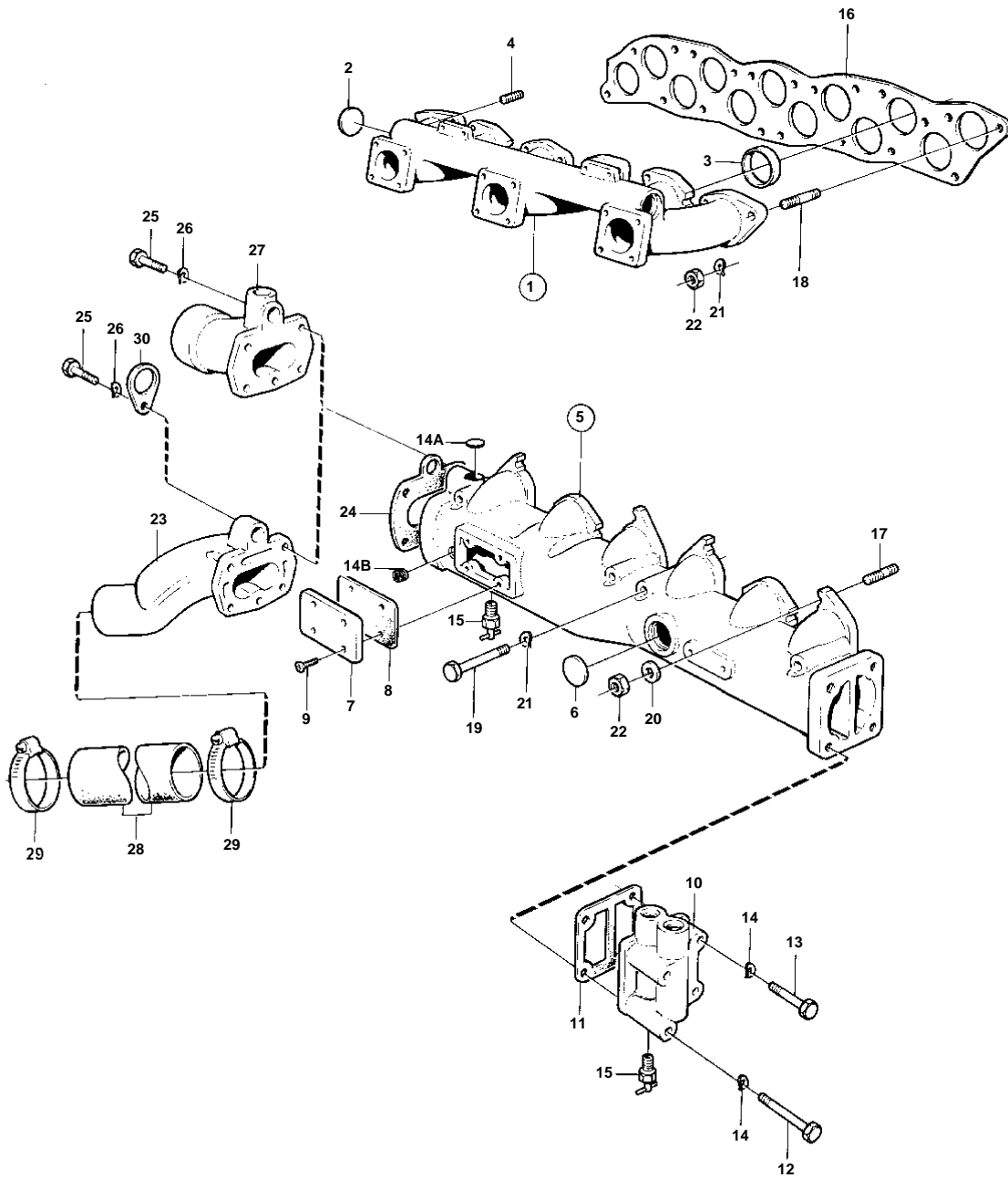


BB165A



5112

BB165A

REF	PART NO.	QTY	DESCRIPTION	NOTES
1		1	Inlet pipe	
2		2	• Expansion plug	
3	418408	2	Guide sleeve	
4	16325	1	Plug	
5	831521	1	Exhaust pipe	
6	192211	3	• Expansion plug	
7		2	• End cover	
8	831518	2	• Gasket	
9	950158	8	• Cross recessed sunk	
10		1	• End plate	
11	831073	1	• Gasket	
12	955543	2	• Hexagon screw	
13	955539	2	• Hexagon screw	
14	942336	4	• Spring washer	
14A	192426	1	• Expansion plug	MO-5802/XXXX
14B	952076	2	• Plug	MO-5802/XXXX
15	82744	3	Shut-off cock	
16	461092	1	Gasket	
17	953240	8	Stud	L = 40 MM
18	953238	8	Stud	L = 38 MM
19	959793	4	Hexagon screw	L = 114 MM
20	191169	8	Washer	
21	941907	12	Spring washer	
22	955826	16	Hexagon nut	
23		1	Exhaust riser	SPEC. 867054, 867132., EARLY TYPE
		1	Exhaust riser	SPEC. 867132 ALT, D70BK ALT., LATE TYPE
24	831480	1	Gasket	SPEC. 867054, 867132., EARLY TYPE
	831330	1	Gasket	SPEC. 867132 ALT, D70BK ALT., LATE TYPE
25	955535	3	Hexagon screw	SPEC. 867054, 867132., EARLY TYPE
	955535	5	Hexagon screw	SPEC. 867132 ALT, D70BK ALT., LATE TYPE
26	942336	3	Spring washer	SPEC. 867054, 867132., EARLY TYPE
	942336	5	Spring washer	SPEC. 867132 ALT, D70BK ALT., LATE TYPE
27		1	Exhaust pipe flange	SPEC. 867054, 867132., EARLY TYPE, SPEC VERSION
		1	Exhaust pipe flange	SPEC. 867132 ALT, D70BK ALT., LATE TYPE, SPEC VERSION
28	952986	X	Hose	L = 130 MM
29	943482	2	Hose clamp	(951799)
30		1	LIFT EYE	LATE TYPE